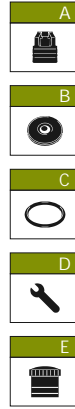
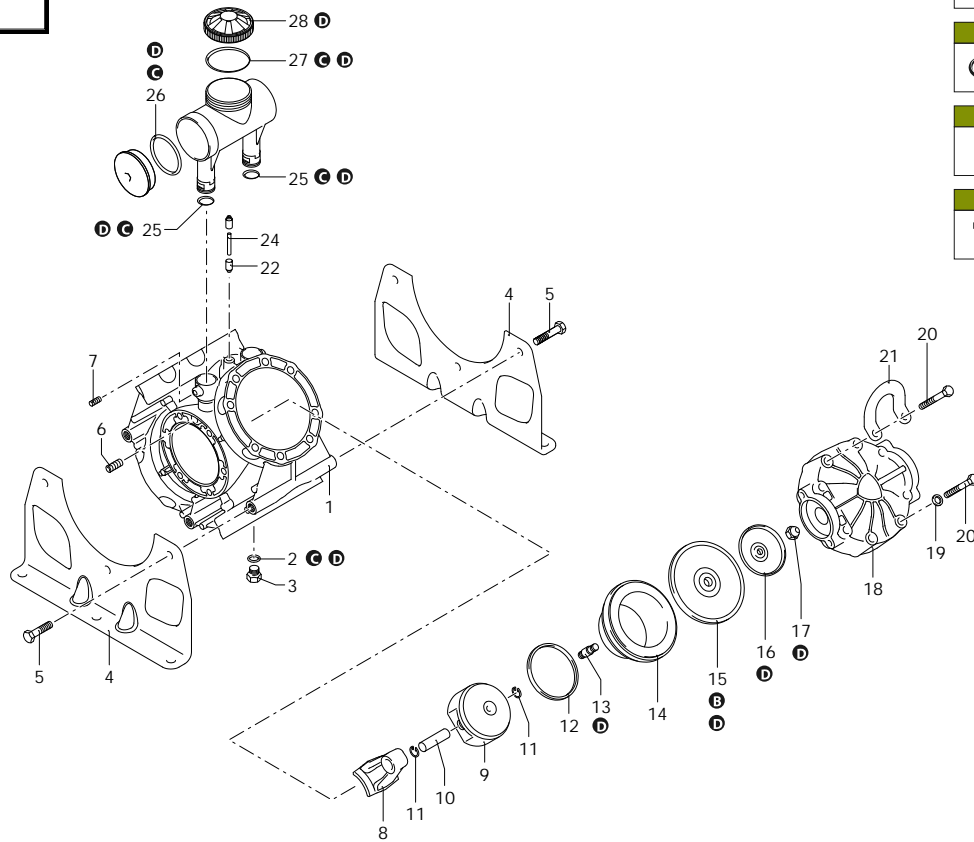
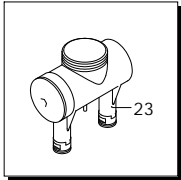




# AR 380 LFP

1256 AR 380 LFP AP C/F Ø 32 - BlueFlex



Code	Description	Q	Note	Validity
1	3280010 Pump body	1		
2	180101 O-ring	1	Lubricate with motor oil	
3	820361 Plug	1	1/2" G brass	
4	3280030 Foot	2		
5	3040291 Screw	6	TE M14x40	Molykote 1000
6	3280090 Screw	2	M10x14	Loxeal 55-14
7	394172 Screw	2	TE MBx16	Loxeal 55-14
8	3280020 Connecting-rod	4		
9	3040100 Piston	4	Ø 100	
10	540070 Pin	4		Lubricate with motor oil
11	160691 Ring	8	seeger Øi 18	
12	3040110 Piston ring	4		
13	3040810 Hub pin	4	AISI 316L	
14	3280160 Sleeve	4	stroke 22 Ø110	
15	3040083 Diaphragm	4	BlueFlex - Øe 145	
16	3040820 Plate	4		
17	3040830 Nut	4	M12	
18	3040600 Head	4	plastic	
19	390092 Washer	28		
20	3040301 Screw	32	TE M12x85	Molykote 1000
21	3280080 Support	2		
22	3040490 Fitting	1		Loxeal 55-14
23	3049001 Tank	1		
24	3040500 Tube	1	34 mm	
25	3040590 O-ring	2	Ø 22x3	Lubricate Molykote PG54
26	3040510 O-ring	1	Ø 70x3	Lubricate with motor oil
27	1040060 O-ring	1	Ø 72,69x2,62	Lubricate Molykote Longterm W2
28	750050 Plug	1	threaded - red	
A	43182 Valve kit	1		
B	43181 Diaphragms kit	1	BlueFlex	
C	43183 O-ring kit	1		
D	43184 Maintenance repair kit	1	BlueFlex	
E	47187 Tank kit	1		

328\_01-001\_ar

Customer: AR  
Customer Code:



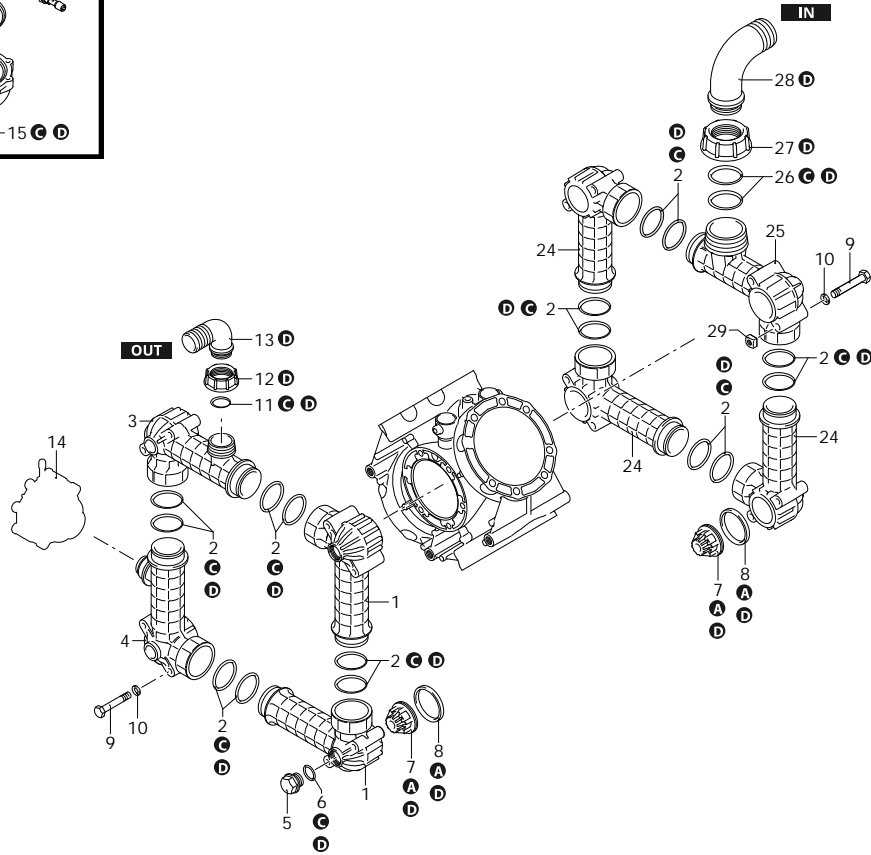
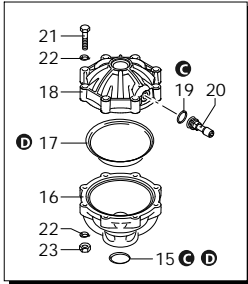
Revision:  
Date: 21/02/2025

Validity: < XX/YY = From week/year



# AR 380 LFP

1256 AR 380 LFP AP C/F Ø 32 - BlueFlex



Code	Description	Q	Note	Validity
1	3280041 Line	2		
2	100321 O-ring	16	Lubricate Molykote G-807	
3	3280060 Line	1	delivery	
4	3280070 Line	1		
5	3040370 Plug	2	3/4" G	
6	1540631 O-ring	2	Ø 23,47x2,62 Viton	Lubricate Molykote PG54
7	3049051 Valve	8		
8	3040650 Gasket	8	Viton	Lubricate Molykote G-807
9	3040611 Screw	16	TE M10x90	
10	3040520 Washer	16		
11	1880460 O-ring	1	Ø 29x3 Viton	Lubricate Molykote PG54
12	750670 Ring nut	1	1" 1/2 G	
13	3040160 Elbow	1	Ø 35	
14	42991 Air chamber	1	BlueFlex	
15	280221 O-ring	1	Ø 29,75x3,53 Viton	Lubricate Molykote PG54
16	3300110 Semi air chamber	1	lower	
17	550194 Diaphragm	1	BlueFlex - Øe 110	
18	3300120 Semi air chamber	1	upper	
19	650542 Gasket	1		Lubricate with motor oil
20	180020 Air valve	1	C=3,5NmLoxeal 55-14	
21	3120270 Screw	8	TE M8x65	Molykote 1000
22	390315 Washer	16		
23	380244 Nut	8	M8	
24	3280040 Line	3	intake/delivery	
25	3280050 Line	1	intake	
26	750741 O-ring	2	Ø 56,74x3,53 Viton	Lubricate with motor oil
27	750710 Ring nut	1	2" 1/2 G	
28	750720 Elbow	1	Ø 60	
29	3040620 Nut	16	M10	
A	43182 Valve kit	1		
B	43181 Diaphragms kit	1	BlueFlex	
C	43183 O-ring kit	1		
D	43184 Maintenance repair kit	1	BlueFlex	

328\_02-002\_ar

Customer: AR  
Customer Code:



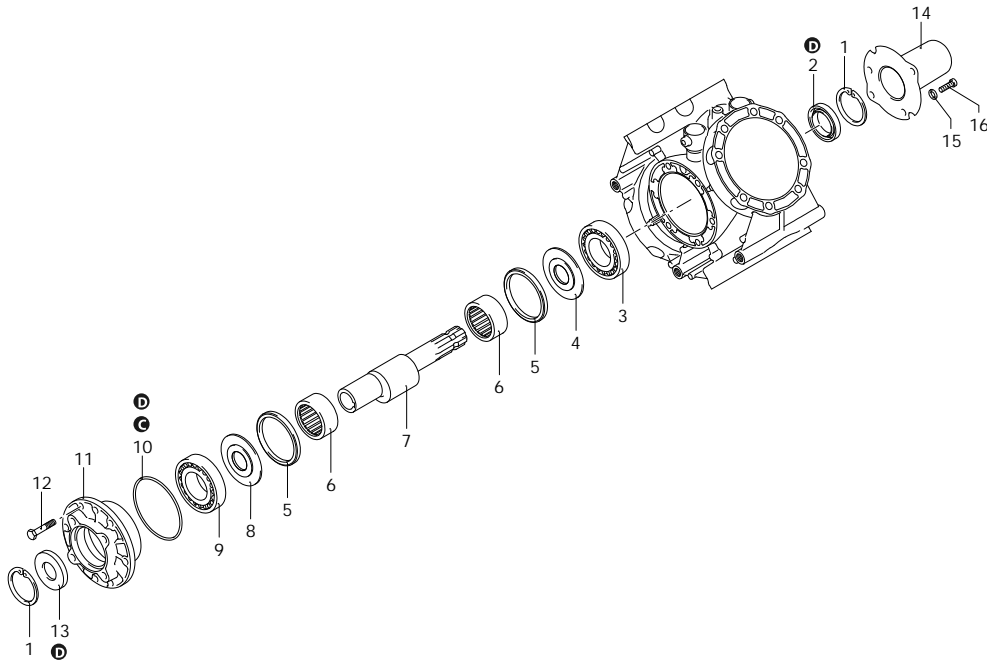
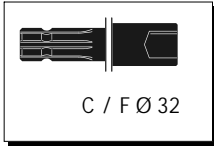
Revision:  
Date: 21/02/2025

Validity: < XX/YY = From week/year



# AR 380 LFP

1256 AR 380 LFP AP C/F Ø 32 - BlueFlex



Code	Description		Q	Note	Validity
1	161050 Ring	seeger Øi 72	2		
2	2680120 Ring	seal	1	Lubricate with Mineral Grease	
3	160751 Bearing		1	Press Mount	
4	3280190 Plate		1		
5	850130 Ring	Connecting-rod	2		
6	850320 Bearing		2		
7	3280180 Shaft	ES marked	1		
8	3280170 Plate		1		
9	2240380 Bearing		1	Press Mount	
10	1800160 O-ring	Ø 113,97x2,62	1	Lubricate Molykote PG54	
11	3040321 Flange		1	Lubricate Molykote PG54	
12	450261 Screw	TE M6x35	6	Lubricate with Mineral Grease	
13	2680130 Ring	seal	1	Lubricate with Mineral Grease	
14	760360 Guard		1		
15	390314 Washer		3		
16	850251 Screw	TCEI M8x12	3		
A	43182 Valve kit		1		
B	43181 Diaphragms kit	BlueFlex	1		
C	43183 O-ring kit		1		
D	43184 Maintenance repair kit	BlueFlex	1		

328\_03-002\_ar

Customer: AR  
Customer Code:



SAE 30  
4,000 Kg

Revision: 1

Date: 21/02/2025

Validity: < XX/YY = From week/year