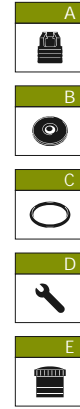
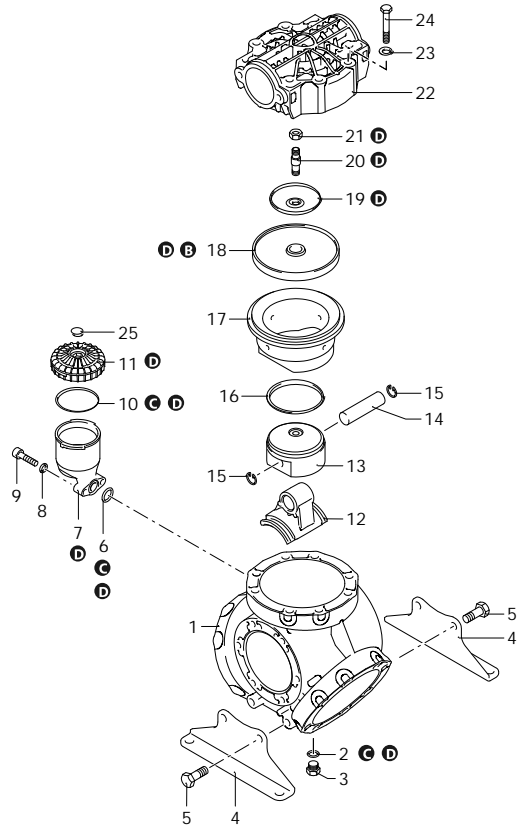
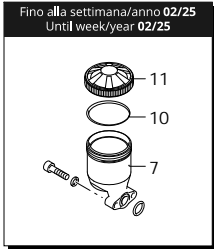




AR 275 LFP

31463 AR 275 LFP AP C/F Ø 32 - BlueFlex



Code	Description	Q	Note	Validity
1	3300010 Pump body	1		
2	180101 O-ring	1	Lubricate with motor oil	
3	820361 Plug	1	C=20Nm	
4	3300030 Foot	2		
5	3300150 Screw	4	C=50Nm Molykote 1000	
6	390180 O-ring	1	Lubricate with motor oil	
7	680031 Tank with bayonet	1		< 02/25
7	680032 Tank with bayonet	1		
8	380245 Washer	2		
9	680351 Screw	2	C=10Nm	
10	1040060 O-ring	1	Lubricate Molykote Longterm W2	
10	580230 O-ring	1		
11	750050 Plug threaded - red	1		
11	4700622 Plug with bayonet - red	1		
12	3300020 Connecting-rod	3		
13	3040100 Piston	3		
14	540070 Pin	3	Lubricate with motor oil	
15	160691 Ring seeger Øi 18	6		
16	3040110 Piston ring	3		
17	3300100 Sleeve	3		
18	3040083 Diaphragm BlueFlex - Øe 145	3		
19	3040820 Plate	3		
20	3040810 Hub pin AISI 316L	3	C=35Nm	
21	3040830 Nut M12	3	C=30Nm	
22	3040600 Head plastic	3		
23	390092 Washer	24		
24	3040301 Screw TE M12x85	24	C=25Nm Molykote 1000	
25	751780 Plug	1		
A	43133 Valve kit	1		
B	43132 Diaphragms kit BlueFlex	1		
C	43134 O-ring kit	1		
D	43135 Maintenance repair kit BlueFlex	1		
E	47191 Tank kit	1		

330_01-001_ar

Customer: AR
Customer Code:



SAE 30
2,300 Kg

Revision: 1

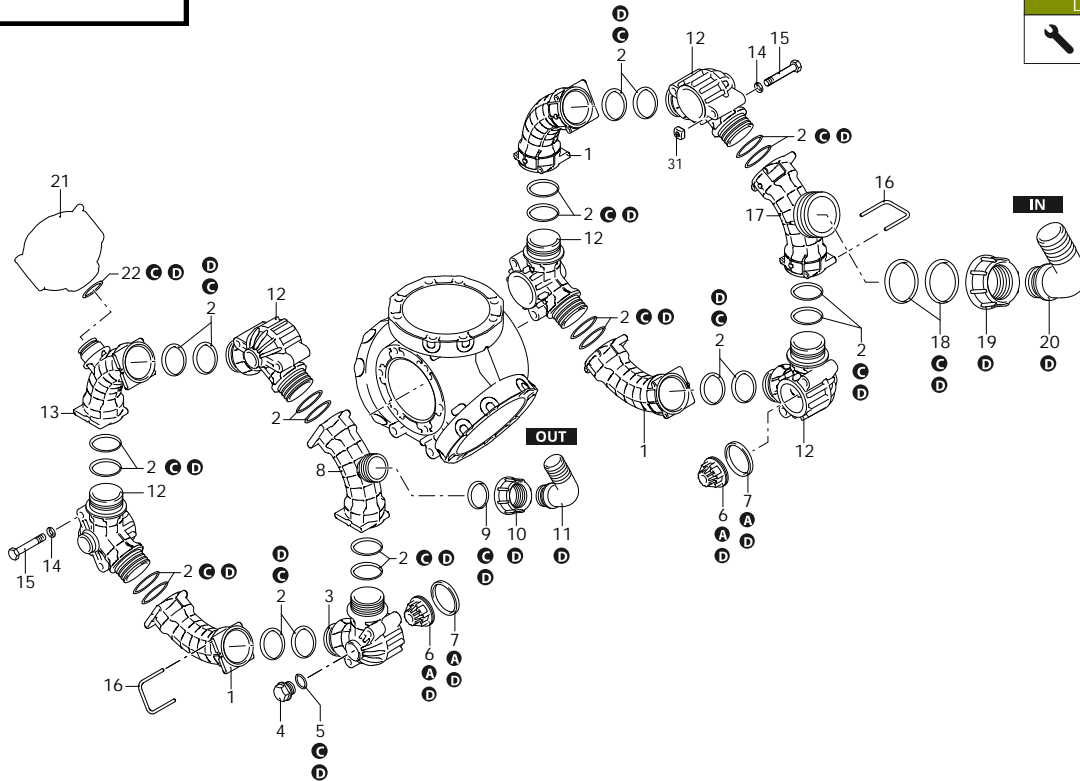
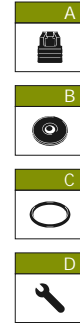
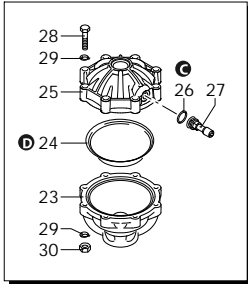
Date: 21/02/2025

Validity: < XX/YY = From week/year



AR 275 LFP

31463 AR 275 LFP AP C/F Ø 32 - BlueFlex



330_02-002_ar

Code	Description		Q	Note	Validity
1	3300050	Line	3		
2	751141	O-ring	24	Ø 47,22x3,53	Lubricate Molykote G-807
3	3300041	Line	1		
4	3040370	Plug	1	3/4" G	C=10Nm
5	1540631	O-ring	1	Ø 23,47x2,62 Viton	Lubricate Molykote PG54
6	3049051	Valve	6		
7	3040650	Gasket	6	Viton	Lubricate Molykote G-807
8	3300070	Line	1		
9	1880460	O-ring	1	Ø 29x3 Viton	Lubricate Molykote PG54
10	750670	Ring nut	1	1" 1/2 G	
11	3040160	Elbow	1	Ø 35	
12	3300040	Line	5		
13	3300090	Line	1		
14	320622	Washer	12		
15	3040611	Screw	12	TE M10x90	C=20Nm
16	3300080	Fork	12		
17	3300060	Line	1		
18	750741	O-ring	2	Ø 56,74x3,53 Viton	Lubricate with motor oil
19	750710	Ring nut	1	2" 1/2 G	
20	750720	Elbow	1	Ø 60	
21	43066	Air chamber	1	BlueFlex	
22	280221	O-ring	1	Ø 29,75x3,53 Viton	Lubricate Molykote PG54
23	3300110	Semi air chamber	1	lower	
24	550194	Diaphragm	1	BlueFlex - Øe 110	
25	3300120	Semi air chamber	1	upper	
26	650542	Gasket	1		Lubricate with motor oil
27	180020	Air valve	1		C=3,5NmLuxeal 55-14
28	3120270	Screw	8	TE M8x65	C=20Nm Molykote 1000
29	390315	Washer	16		
30	380244	Nut	8	M8	C=20Nm
31	3040620	Nut	1	M10	C=20Nm
A	43133	Valve kit	1		
B	43132	Diaphragms kit	1	BlueFlex	
C	43134	O-ring kit	1		
D	43135	Maintenance repair kit	1	BlueFlex	

Customer: AR
Customer Code:



SAE 30
2,300 Kg

Revision: 1

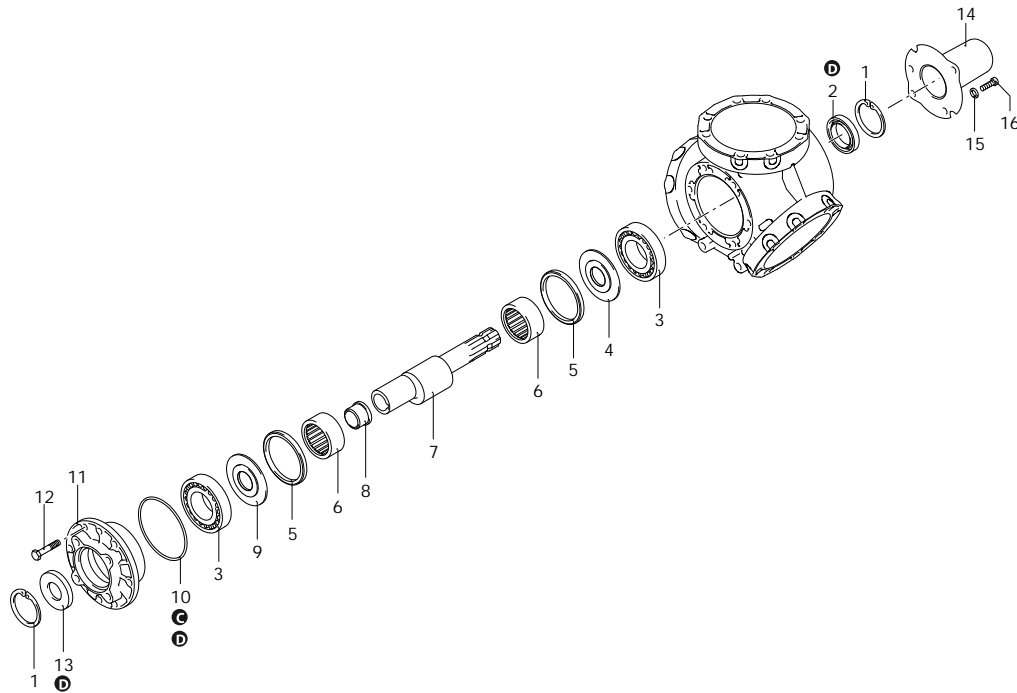
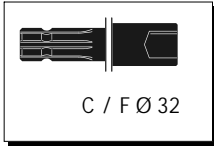
Date: 21/02/2025

Validity: < XX/YY = From week/year



AR 275 LFP

31463 AR 275 LFP AP C/F Ø 32 - BlueFlex



Code	Description		Q	Note	Validity
1	161050 Ring	seeger Øi 72	2		
2	2680120 Ring	seal	1	Lubricate with Mineral Grease	
3	2240380 Bearing		2	Press Mount	
4	3300190 Plate		1		
5	850130 Ring	Connecting-rod	2		
6	850320 Bearing		2		
7	3280180 Shaft	ES marked	1		
8	3300200 Bushing		1	Press Mount	
9	3040360 Plate		1		
10	1800160 O-ring	Ø 113,97x2,62	1	Lubricate Molykote PG54	
11	3040321 Flange		1	Lubricate Molykote PG54	
12	450262 Screw	TE M10x35	6	C=20Nm Molykote 1000	
13	2680130 Ring	seal	1	Lubricate with Mineral Grease	
14	760360 Guard		1		
15	390315 Washer		3		
16	850252 Screw	TCEI M8x12	3	C=10Nm Molykote 1000	
A	43133 Valve kit		1		
B	43132 Diaphragms kit	BlueFlex	1		
C	43134 O-ring kit		1		
D	43135 Maintenance repair kit	BlueFlex	1		

330_03-002_ar

Customer: AR
Customer Code:



SAE 30
2,300 Kg

Revision: 1

Date: 21/02/2025

Validity: < XX/YY = From week/year